



ENVIRO AUTOMOTIVE

Drive the future



DAYUN 4 × 2 BEV 98.04kWh

www.electricktruck.co.za

Specification	Whole vehicle Length × width × height (mm)	5995×2200×2350
	Chassis Length × width × height (mm)	5880×2050×2250
	Bucket Length × width × height (mm)	/
	Wheelbase (mm)	3300
	Front/ Rear wheel distance (mm)	1645/1535
	Minimum ground clearance (mm)	210
	GVW kg	7500
	Maximum Loading capacity (kg)	4150
	Curb weight (kg)	3350
	Driving model	4*2
	Crew numbers	2
	Max. speed (km/h)	89
	30min Max. speed (km/h)	80
	Reversing speed(km/h)	≤15
	Economic speed(km/h)	60-70
	Constant velocity distance	180km (Per 40km/h/7500kgFull charged)
	Max. gradient (%)	≥38% 7500kg 12km/h
	0~50km/h (s)	/
	Motor type	Permanent magnet synchronization
Manufacturer	DAYUN AUTOMOBILE CO. LTD	
Power System	Rated power / speed / torque (kW / r / min / N.m)	105/2000/500
	Cooling	Liquid cooling
	Driving type	2 speeds AMT
	Battery	Lithium iron phosphate
	Manufacturer	CATL
	Nominal voltage	440V~642.4V
	Nominal capacity (Ah)	173
	Total storage capacity	98.04
Recharge method	DC charging pile	
Chassis	Front axle leaf spring pieces/thickness/stifness (N/mm)	105/2000/500
	Rear axle leaf spring pieces/thicknes/stifness (N/mm) (N/mm)	3/15/165±16
	Front axle brake	3+3/17+12/257+304
	Front axle loading capacity (t)	Drum brake
	Rear axle brake	3.0T
	Rear axle loading capacity (t)	Drum brake
	Main ratio	5.5T
	ABS	5.38
	Braking system	yes
	Tire	air brake
Frame dimension	7.50R16(Steel rim16×6K)PR16	
Cabin	A/C	800×180×60×
	Window	Half Auto
	Door	Auto
	Rear mirror	Auto
	Seat	Manual
	Seat belt	1+1
		Three point seat belt

sales@enviroauto.co.za

+27 82 857 9582 /+27 82 447 6281

1049 Waxbill street, Zambezi Country Estate, Montana, Pretoria, 0151



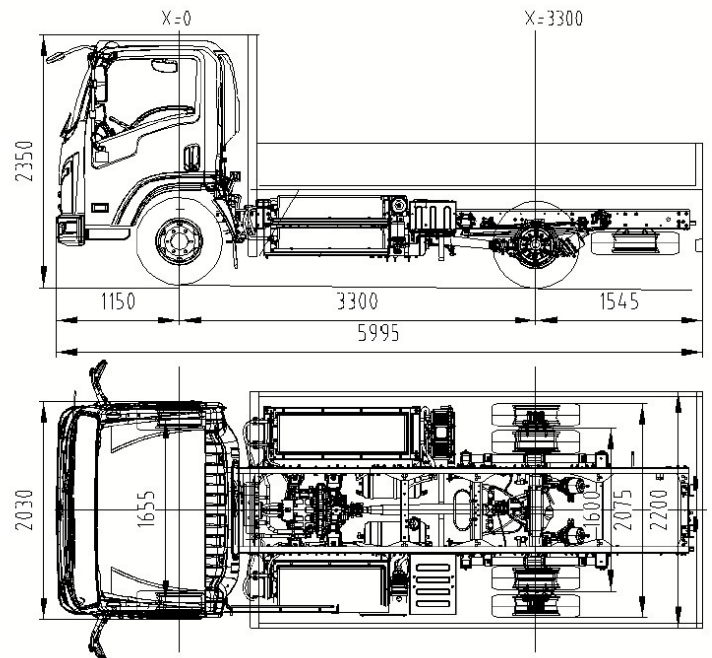
ENVIRO AUTOMOTIVE

Drive the future



DAYUN 4 × 2 BEV 98.04kWh

www.electricktruck.co.za



sales@enviroauto.co.za

+27 82 857 9582 / +27 82 447 6281

1049 Waxbill street, Zambezi Country Estate, Montana, Pretoria, 0151